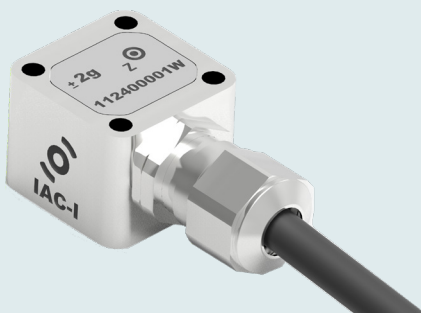


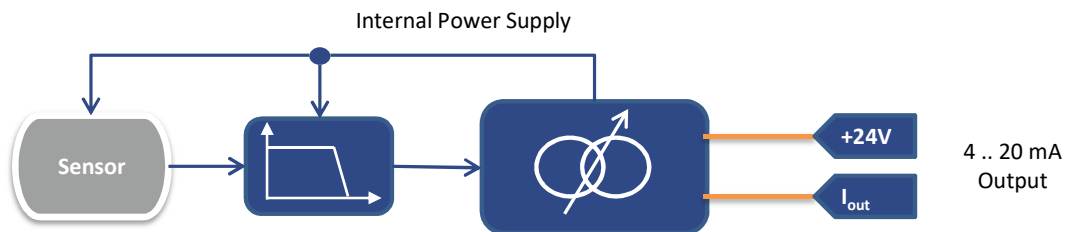
IP68 - 5 BAR INDUSTRIAL ACCELEROMETER CURRENT LOOP OUTPUT (4-20 mA)



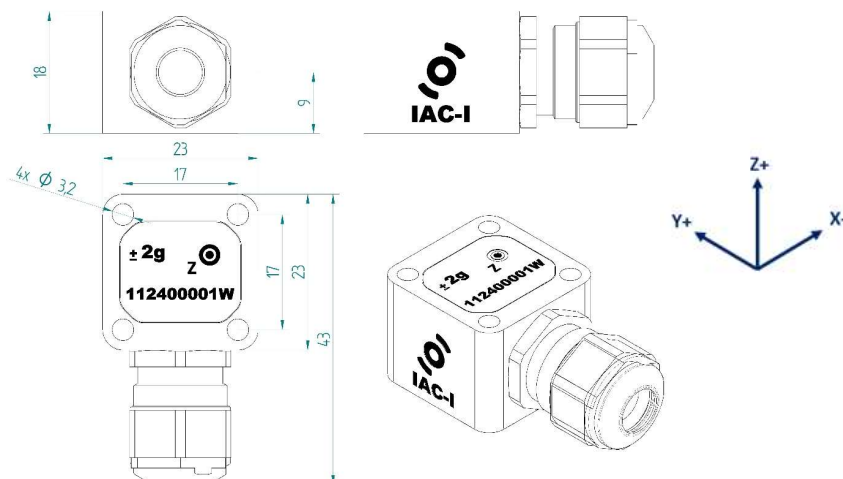
PROPERTIES

- 4.-20mA signal conditioning
- Self-powered Current Loop
- Galvanically Isolated
- Protected against false polarization
- Compact and rugged design
- Protection grade IP68 - 5 bar
- Marine cable

BLOCK DIAGRAM



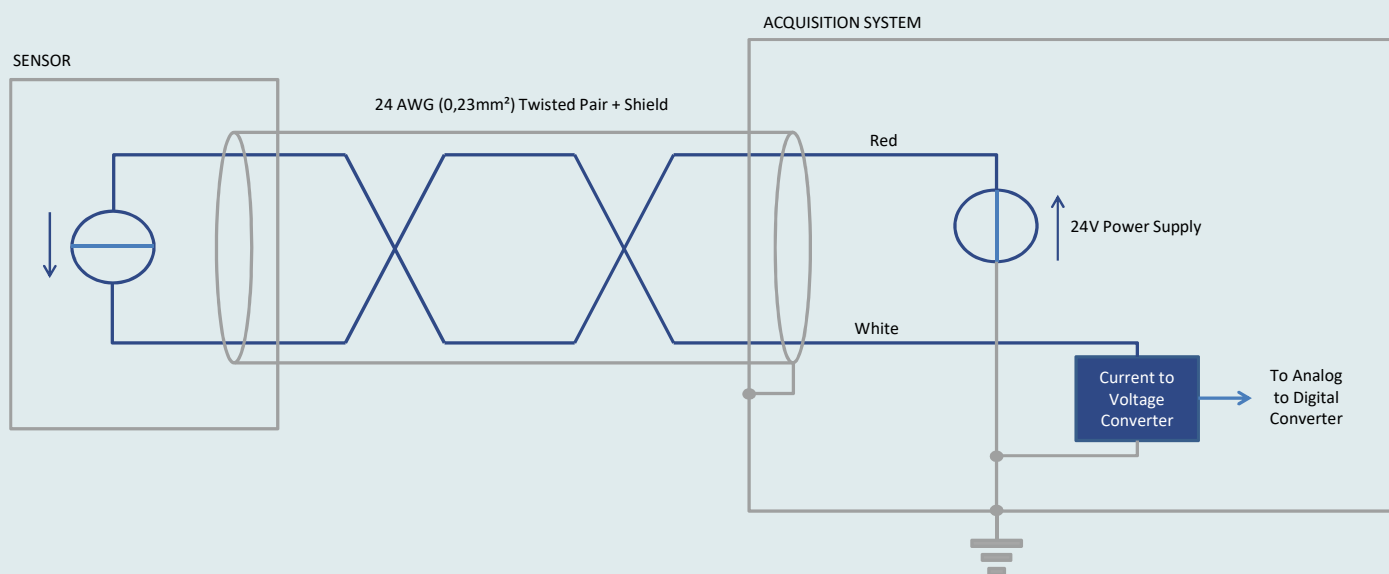
DIMENSIONS



SPECIFICATIONS

OUTPUT	Output Range	4..20mA	
	Supply voltage	12-30 V	
	Measuring Range	± 2g or ± 6g	
	Sensibility	4.5 mA/g or 1.35 mA/g	
	Lower frequency limit	0 Hz (DC)	
	Upper frequency limit (-3 dB)	1000 Hz	
	Non-linearity	± 0.5 % F.S.	
	Residual noise	50 µg/√Hz	
	Transverse sensitivity	< 5 %	
Destruction limit	± 5000 g		
ENVIRONMENTAL CHARACTERISTICS	Temperature range	<i>Operating</i> - 20-85 °C ⁽¹⁾	<i>Non-Operating</i> -40-85°C (-40-167°F)
	Temperature coefficient of sensitivity	± 0.01 %/°C	
	Temperature drift of zero point	± 0.5 mg/°C	
	Protection grade	IP68 - 5 bar	
MECHANICAL DATA	Weight Without Cable	30gr (1 oz)	
	Case Material/Cable gland	Stainless Steel A4 (AISI316)	
	Cable	Marine Type	
	Mounting	3.2 mm diameter holes (4x)	

ELECTRICAL CONNECTIONS



ORDERING INFORMATION

