

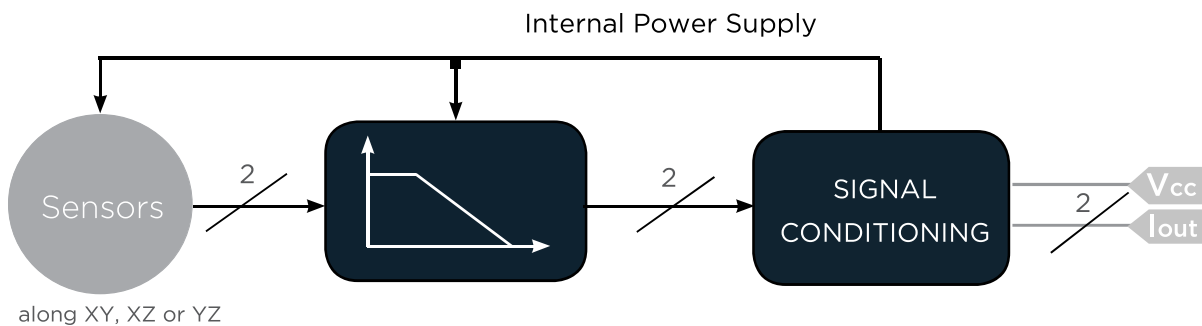
INDUSTRIAL ACCELEROMETER (4-20 mA)



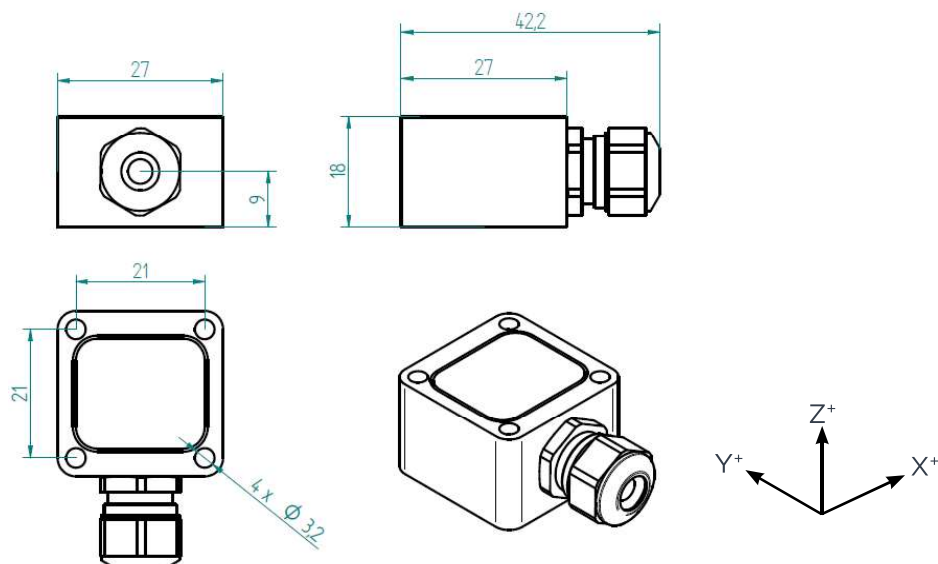
PROPERTIES

- 2 axis
- Suited for direct connection to standard control and measurement equipment, e.g. PLCs or panel meters
- Embedded 4..20mA signal conditioning
- Galvanically Isolated
- Protected against false polarization
- Compact and rugged design
- Protection grade IP67

BLOCK DIAGRAM



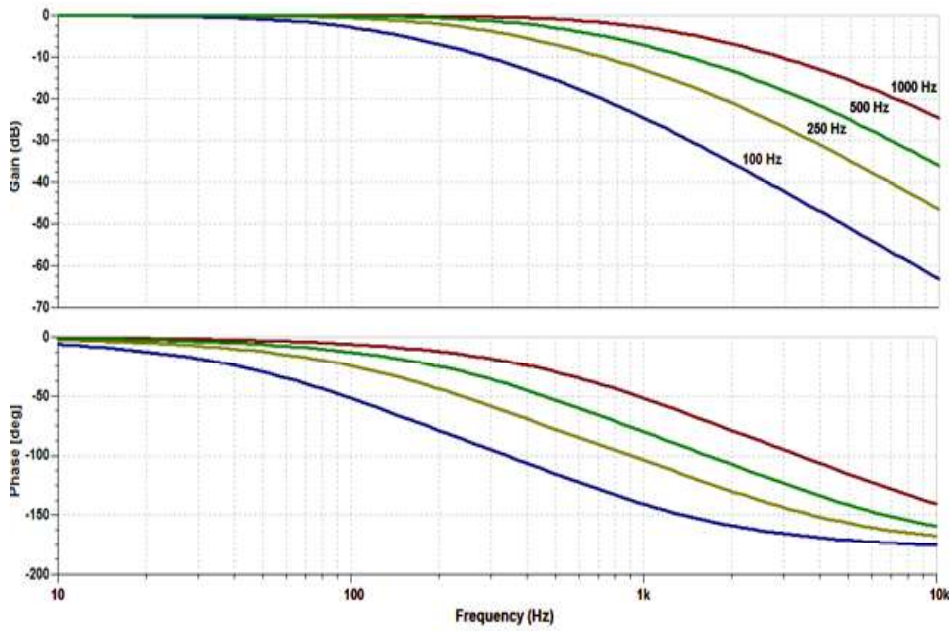
DIMENSIONS



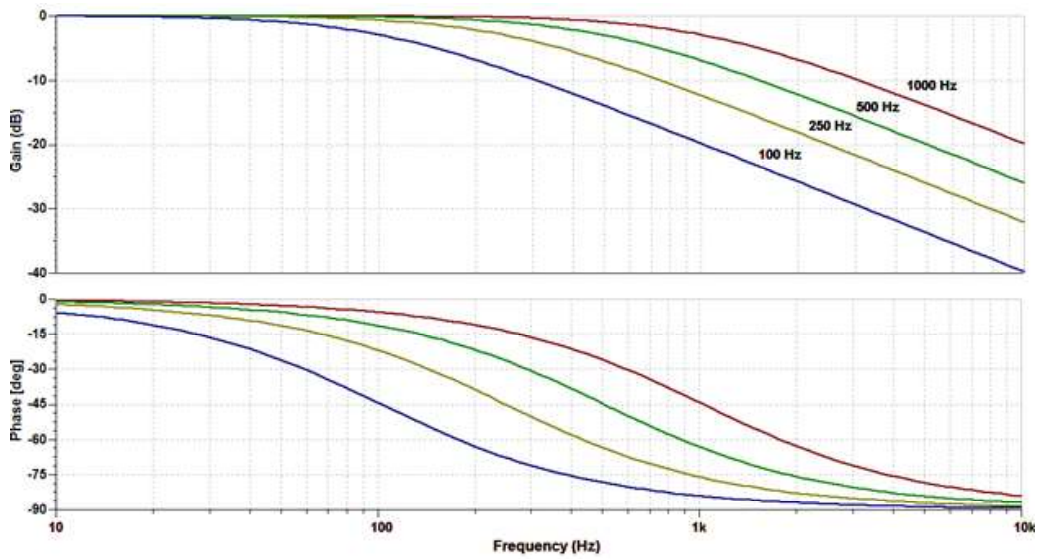
SPECIFICATIONS - ALL MODELS

OUTPUT/ CHANNEL	Output Range	4..20mA	
	Supply voltage	12...30 V	
	Measuring Range	± 2 or $\pm 6g$	
	Sensibility	3.20mA/g ($\pm 2g$ range) or 1.07 mA/g ($\pm 6g$ range)	
	Lower frequency limit	0 Hz (DC)	
	Max. Upper 3dB frequency limit	100, 250, 500 or 1000 Hz (1 st and 2 nd order)	
	Non-linearity	± 0.5 % F.S.	
	Residual noise	$< 50 \mu g/\sqrt{Hz}$	
	Transverse sensitivity	< 5 %	
	Destruction limit	± 5000 g	
ENVIRONMENTAL CHARACTERISTICS		<i>Operating</i>	<i>Non-Operating</i>
	Operating temperature range	- 20...85 °C (-4..185°F)	-40...85°C (-40..167°F)
	Temperature coefficient of sensitivity	± 0.01 %/°C	
	Temperature drift of zero point	± 0.5 mg/°C	
	Protection grade	IP67	
MECHANICAL DATA	Weight Without Cable	40gr	
	Case Material	Aluminum (MIL-A-8625 Type I coating)	
	Mounting	3.2 mm diameter holes (4x)	

POSSIBLE FILTER AMPLITUDE RESPONSES

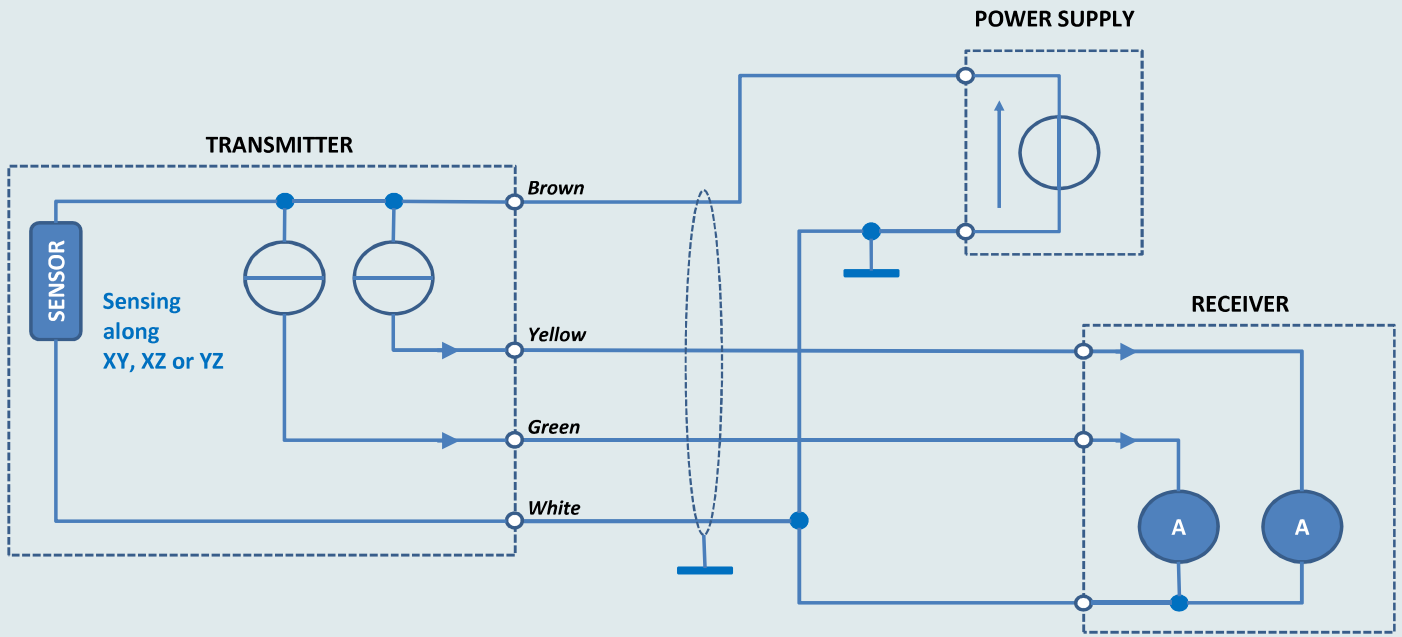


2nd order filter



1st order filter

ELECTRICAL CONNECTIONS



Signal (XY sensing)	Signal (XZ sensing)	Signal (YZ sensing)	4 x 0.25 ²
Supply ⁺	Supply ⁺	Supply ⁺	Brown
Supply ⁻	Supply ⁻	Supply ⁻	White
x-axis	x-axis	y-axis	Yellow
y-axis	z-axis	z-axis	Green

ORDERING INFORMATION

