

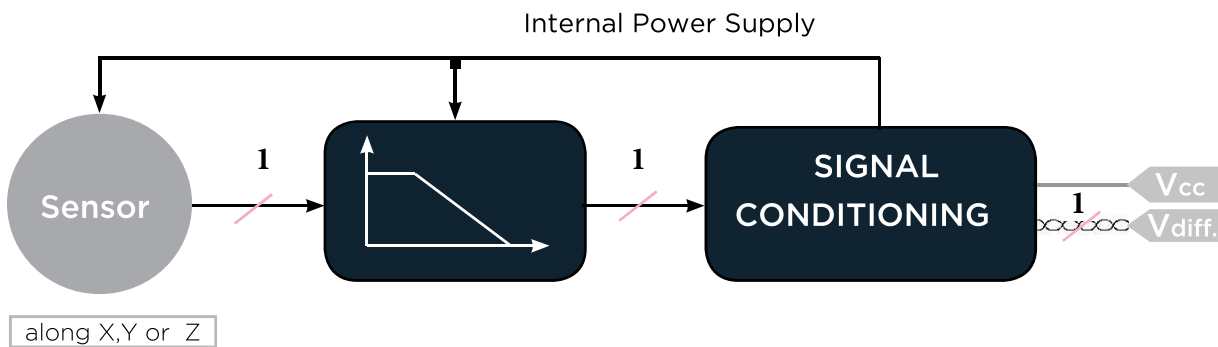
HIGH RESOLUTION INDUSTRIAL ACCELEROMETER



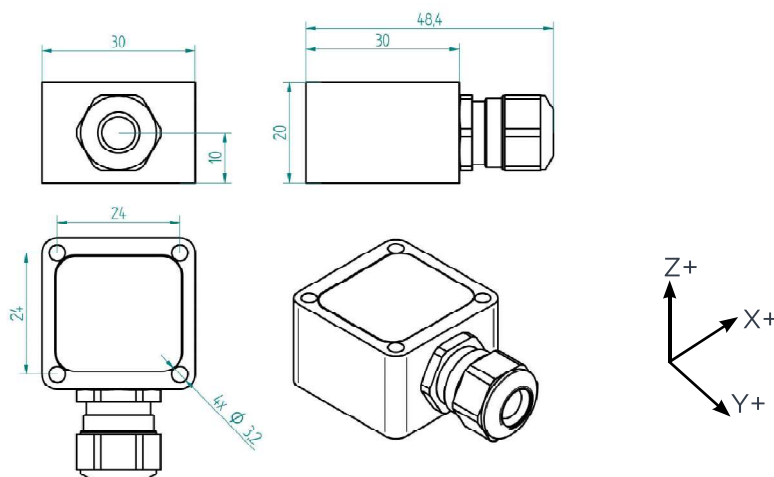
PROPERTIES

- 1-axis
- Amplified $\pm 4V$ differential output
- Suited for direct connection to standard control and measurement equipment, e.g. PLCs or panel meters
- Embedded signal conditioning
- Compact and rugged design
- Protection grade IP67

BLOCK DIAGRAM



DIMENSIONS



SPECIFICATIONS - ALL MODELS

OUTPUT / CHANNEL	Output Range	± 4V	
	Supply voltage	10...30VDC	
	Lower frequency limit	0 Hz (DC)	
	Non-linearity	± 0.5 % F.S.	
	Sensitivity error	0.5 % typ. - 1 % max.	
	Transverse Sensitivity	2 % typ. - 3% max.	
	Offset	0.2 % F.S. typ. - 0.5 % F.S. max.	
	Destruction limit	± 5000g	
ENVIRONMENTAL CHARACTERISTICS		<i>Operating</i>	<i>Non-Operating</i>
	Operating temperature range	- 40...80°C ⁽¹⁾	- 55...125 °C
	Temperature coefficient of sensitivity	± 0.03 %/°C	
	Temperature drift of zero point	± 0.02 % F.S./°C	
	Protection grade	IP67	
MECHANICAL DATA	Weight Without Cable	55 g (100 g ⁽²⁾)	
	Case Material	Aluminum (MIL-A-8625 Type II coating) ⁽²⁾	
	Mounting	3.2 mm diameter holes (4x)	

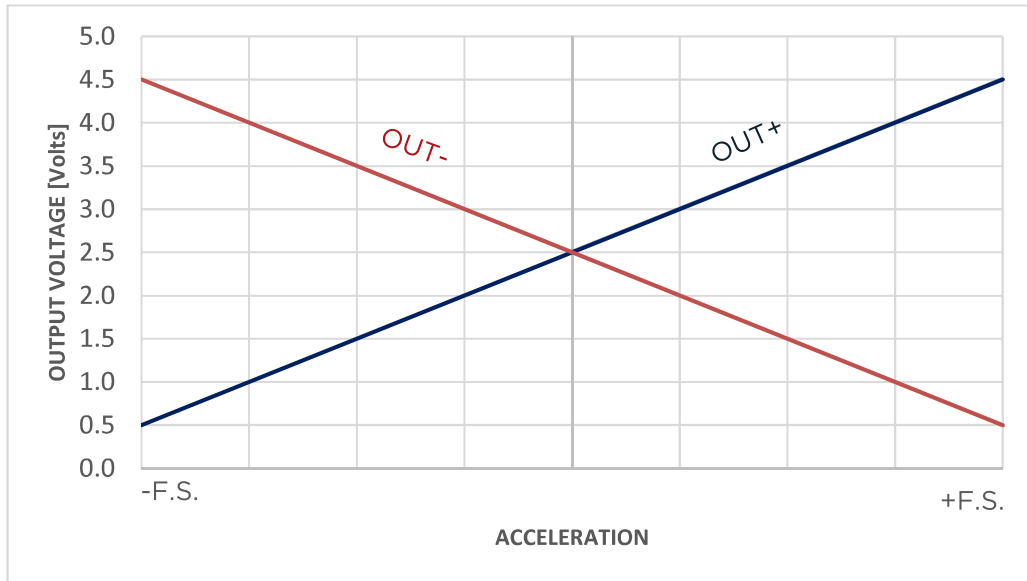
⁽¹⁾ Maximum temperature due to accelerometer cable - operating temperature up to ±125°C possible with special cable upon request

⁽²⁾ Stainless Steel Casing and Cable Gland A4 (AISI316) Grade Upon Request (e.g. for offshore/marine environment)

PERFORMANCES - BY MODEL

Range	Sensitivity	Frequency Response (-3dB)	Noise
g	m V/g	Hz	µg/√Hz
±2	2000	0 - 400	5
±5	800	0 - 600	7
±10	400	0 - 1000	10
±25	160	0 - 1500	25
±50	80	0 - 2000	50
±100	40	0 - 2500	100
±200	20	0 - 3000	200
±400	10	0 - 4000	400

ELECTRICAL RESPONSE



ELECTRICAL CONNECTIONS

Signal (X sensing)	Signal (Y sensing)	Signal (Z sensing)	2 x 2 x 0.14 ²
Supply ⁺	Supply ⁺	Supply ⁺	White
Supply ⁻	Supply ⁻	Supply ⁻	Brown
x-axis ⁺	y-axis ⁺	z-axis ⁺	Yellow
x-axis ⁻	y-axis ⁻	z-axis ⁻	Green

ORDERING INFORMATION

IAC	-	HiRes	-	Ud	-	01	-	A	-	X g	-	XX.X m
								Sensing Axis		RANGE		Cable Length
								X		2	± 2g	
								Y		5	± 5g	
								Z		10	± 10g	
										25	± 25g	
										50	± 50g	
										100	± 100g	
										200	± 200g	
										400	± 400g	